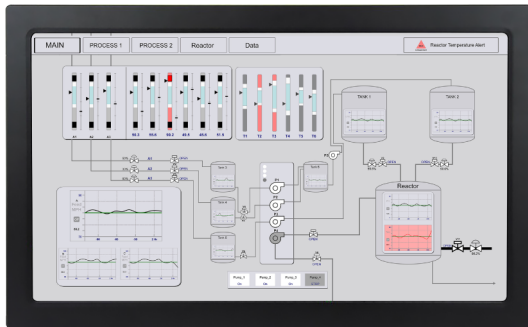




## ARP-2221AP-G01-002

C1D2 Location Panel Mount Thin Client Panel PC with 21.5 inch 5-Wire Resistive Touch



### Features

- 21.5" LCD, 1920 x 1080 Resolution
- 5-Wire Resistive Touch
- Aluminum or Stainless-Steel Bezel
- Intel i7-3612QM CPU
- 8GB DDR3 SO-DIMM
- Dual Gigabit Ethernet
- 2 x RS-232/422/485 BIOS Selectable
- 4 x USB 3.0, 2 x USB 2.0 ports
- ThinManager Ready

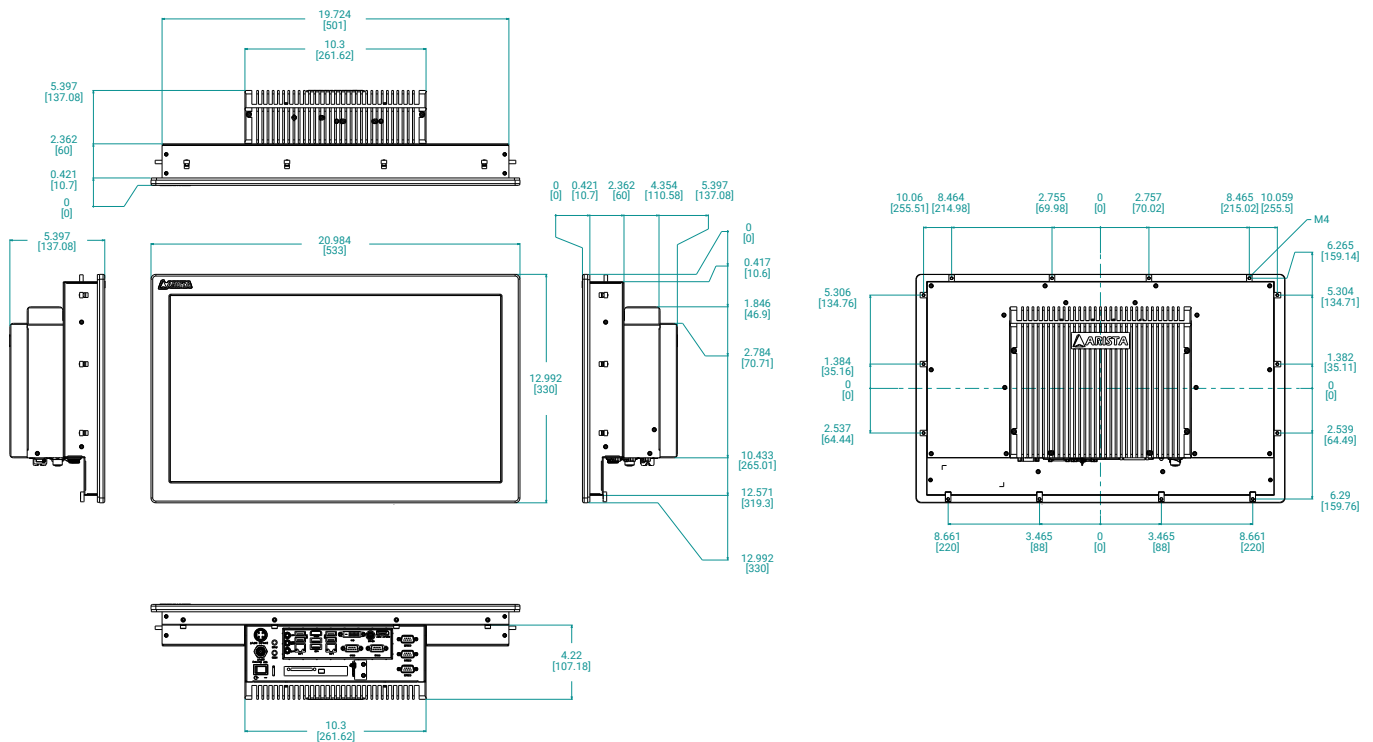
### Specifications

Model Name	ARP-2221AP-G01-002
<b>LCD Display</b>	
Display Size (Diagonal)	21.5 inch
Resolution	1920 x 1080
Backlight Lifetime (Hours)	50,000
<b>Visual Characteristics</b>	
Colors	16.7 million
Aspect Ratio	16:9
Viewing Angle (V/H)	178° / 178°
Contrast Ratio	1000 : 1
Brightness	250 nits
<b>Touchscreen</b>	
Technology	5 Wire Resistive
Interface	USB
Driver	ThinManager Supported Driver
<b>Front Bezel</b>	
NEMA 4	Black Powder Coated Aluminum
NEMA 4x	Stainless Steel (Optional)
<b>System</b>	
CPU	Intel i7-3612QM
Chipset	Intel QM77
Memory	8GB DDR3
Video Controller	Intel HD Graphics 4000
External Video Output	DVI / HDMI / Display Port
Storage Option	N/A
CFast	N/A
Keyboard / Mouse	USB / PS2
Audio	Line in, Line Out, Mic-In
Watchdog Timer	Programmable 1 - 255 sec
Remote Boot	ThinManager Ready, PXE
Expansion Slot	1 x PCIe x16
<b>I/O Communication</b>	
USB Port	4 x USB 2.0, 2 x USB 3.0
Serial Port	2 x RS-232/422/485
IEEE 1394	N/A
LAN	Dual Gigabit LAN
Parallel	N/A
GPIO	N/A
<b>Smart Battery</b>	
External Smart Battery	N/A
<b>OS Support</b>	
OS Support	N/A
<b>Power/Thermal Specs</b>	
Power Requirement (Max)	24VDC / 3.00A
Power Consumption (Max)	72 W
Recommended Power Supply	120W
Heat Dissipation	250 BTU/hr
<b>Physical Information</b>	
Mounting	Panel Mount
Net Weight	28 Lbs / 12.7 Kg
Dimension (W x H x D)	20.98 x 12.99 x 5.78 inch 533.0 x 330.0 x 146.7 mm
Recommended Cutout Dimension (WxH)	19.92 x 12.35 inch 506.0 x 313.7 mm
IP/NEMA Rating	Bezel UL Rated Type 4X
Certification	c UL Class I Division II
<b>Environmental</b>	
Operating Temperature	0-50°C (32~122°F)
Storage Temperature	-20~60°C (-4~140°F)
Relative Humidity	0~95%

## Dimension Drawing

ARP-2221AP-G01-002

Size Unit: inch(mm)



## Ordering Information

Item	ARP-2221AP-G01-002-C1D2	ARP-2221AP-G01-006-C1D2
LCD Display	Standard	Standard
Touch Screen	5-Wire	5-Wire
Bezel	Black Powder Coated	Stainless Steel
CPU	i7 Mobile	i7 Mobile
Memory	8GB DDR3	8GB DDR3
Storage	N/A	N/A
ThinManager Ready	YES	YES
Power Supply	24VDC Input	24VDC Input
C1D2 Approval	YES	YES